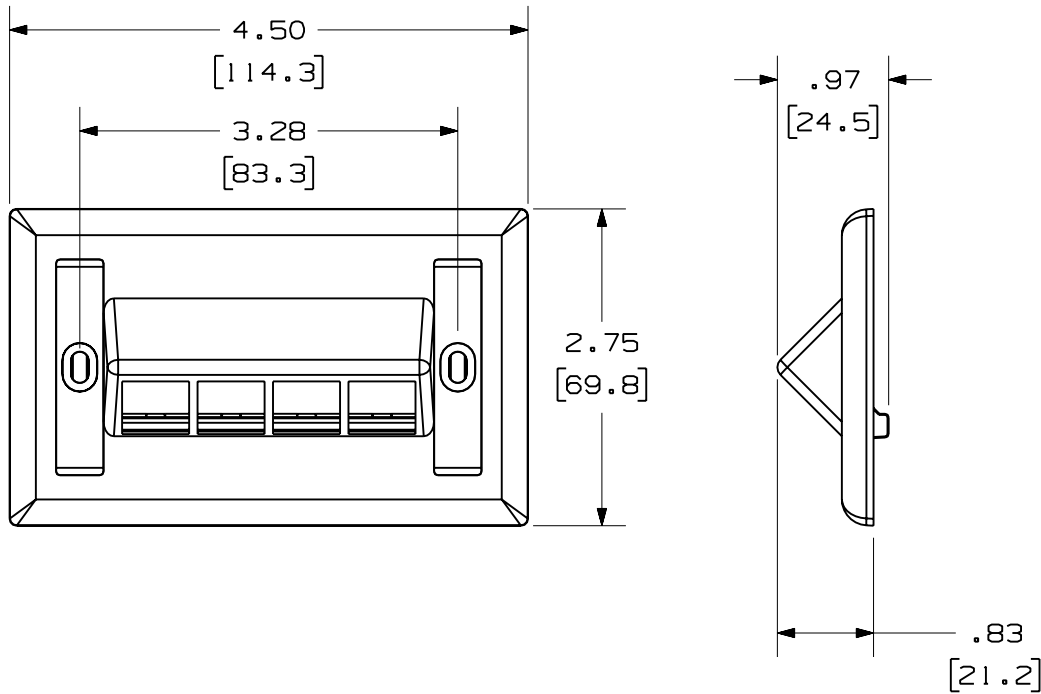


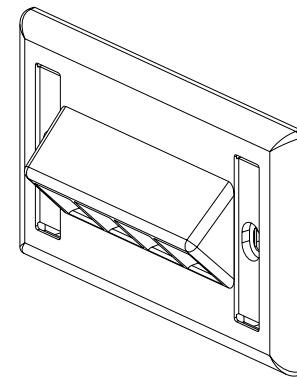
THIS COPY IS PROVIDED ON A RESTRICTED BASIS AND IS NOT TO BE USED IN ANY WAY DETRIMENTAL TO THE INTERESTS OF PANDUIT CORP.

PANDUIT P/N	WEIGHT
NK4HSF**Y	.56 LB/10 PCS (255 g/10 PCS)




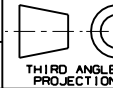
NOTES:

1. SEE CURRENT CATALOG FOR ADDITIONAL PART SUFFIXES TO INDICATE COLOR AND OR PACKAGE QUANTITY.
2. FACEPLATE WILL ACCEPT FOUR STANDARD NETKEY MODULES.
3. PART INCLUDES:
  - 1- FACEPLATE
  - 2- MOUNTING SCREW
  - 2- LABEL
  - 2- LABEL COVER
4. DIMENSIONS IN ( ) ARE IN METRIC.



MODEL FILENAME	M00661CB_KFPS_04.PRT	SIZE	A
DRAWING FILENAME	M02479BK_DC037_00A.PRT		

NETKEY 4 POSITION SINGLE GANG  
HORIZONTAL SLOPED FACEPLATE WITH LABEL  
CUSTOMER DRAWING

 <b>PANDUIT</b> <sup>®</sup> CORP. TINLEY PARK, IL 60477	I.I. NUMBER	N/A
	PRODUCT SPEC	N/A
 THIRD ANGLE PROJECTION	WORK INSTRUCTION	N/A
	SCALE	NONE
DRAWN BY JsP	MATERIAL:	PART NO. NK4HSF**Y
DATE 7-29-06	ABS	DRAWING NO. 02479-037
CHK'D		

REV	DATE	BY	CHK	DESCRIPTION	ECN	R	CUST	SUP	OTH
R	7-29-06	JsP		RELEASED TO PRODUCTION	02479-037				